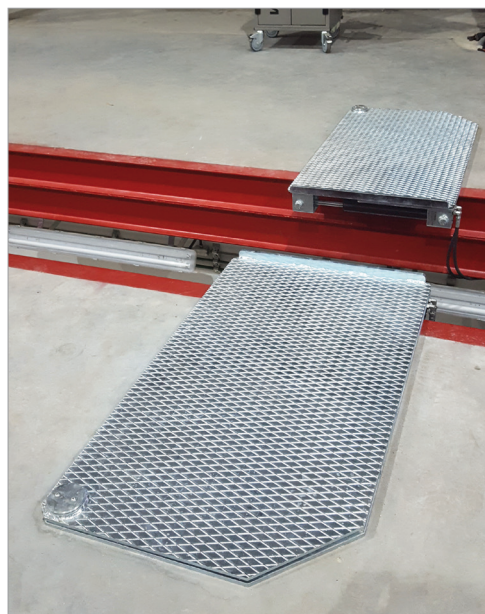


# PLAY DETECTORS

## A NECESSITY BEFORE WHEEL ALIGNMENT

To obtain reliable results when carrying out wheel alignment on vehicles, it is essential to first verify that the vehicle is free from any excessive play. High-quality, versatile equipment is required to assess wear in wheel suspension and steering systems.

JOSAM® play detectors perform this task in a matter of minutes. The plates are designed to generate an arched movement, enabling play to be detected in both axial and radial directions. The play detectors are simple to install; each plate is secured in place using just three expander shell bolts in an existing concrete floor.



JOSAM® play detectors can be installed either directly on the floor or over a service pit.



## Function

JOSAM® play detectors can be used to check trucks, semi trailers, trailers, passenger cars and buses. Before checking the axle for play, it is positioned on the plates with the brakes applied.

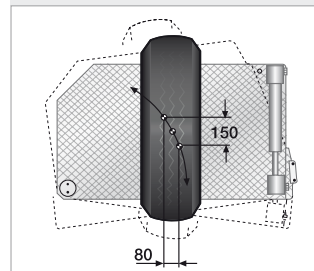
The operator controls the movement of the plates using a control handle. This control mechanism includes a halogen lamp, making it easy to detect any play.



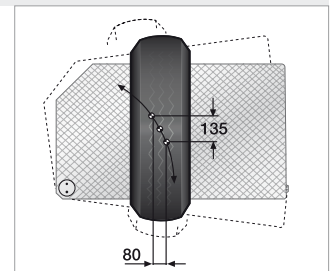
## Technical data

- **Max axle pressure:**  
Dynamic load 13 tonnes; static load 20 tonnes
- **Mains voltage:** 3 x 400 V, 50 Hz (standard)  
(alternative voltage available on request)
- **Transversal movement:**  
~ 80 mm (AM 800 K) ~80 mm (AM 900 K)
- **Longitudinal movement:**  
~150 mm (AM 800 K) ~135 mm (AM 900 K)

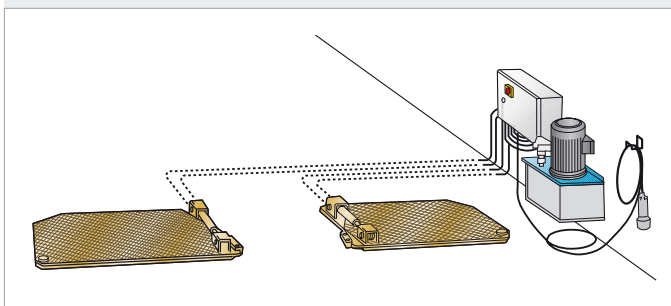
AM 800 K



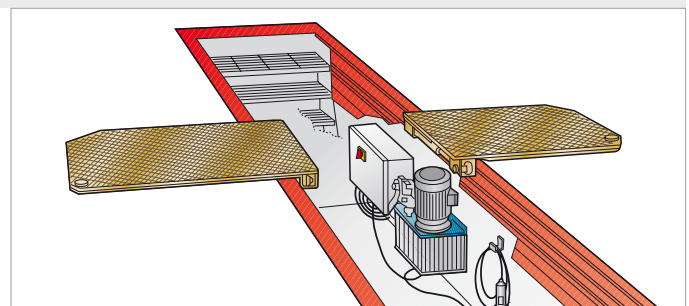
AM 900 K



AM 800 K



AM 900 K



## REPRESENTATIVE:

## MANUFACTURER:

Car-O-Liner Group AB • Box 419 • SE-701 48 Örebro • Sweden  
Tel: +46 19 30 40 00 • E-mail: [info@josam.se](mailto:info@josam.se)  
Internet: [www.josam.se](http://www.josam.se)